

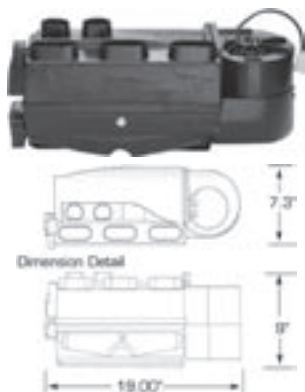
AIR CONDITIONING

*All prices are subject to change without notice.

Vintage Air® - Evaporator Application Guideline

	Gen II Mini	Gen II Compac	Gen II Super	Gen IV Magnum
'28 - '35 Chevy Coupes	■	■		
'28 - '35 Chevy Sedans		■		
'36 - '48 Chevy Coupes	■	■		
'36 - '48 Chevy Sedans		■	■	■
'28 - '34 Chevy Trucks	■	■		
'34 - '46 Chevy Trucks		■		
'28 - '34 Ford Coupes	■	■		
'28 - '34 Ford Sedans			■	
'35 - '48 Ford Coupes	■	■		
'35 - '48 Ford Sedans	■	■		
'28 - '34 Ford Trucks	■	■		
'35 - '52 Ford Trucks	■	■		
'53 - '56 Ford Trucks	■	■		
'57 - '60 Ford Trucks	■	■		
'60 & Up Ford Trucks	■	■		
Cars After 1948			■	■

Vintage Air® - Gen II Mini



66005 Series

Gen-II technology for the smallest cars and trucks! State of the art GEN-II servo motor control technology is now incorporated into Vintage Air's smallest heat and cool unit. makes this mid sized package work better than most other's full size systems. The ideal system for trucks and smaller hot rods. Features true bi-level operation in cool and heat modes and a more powerful dehumidified defroster mode.

Details

66005 Series - Heat and Cool

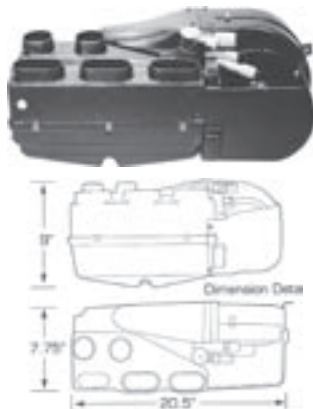
66005 Series - Heat, Cool, and Defrost

Price

\$410.00

\$470.00

Vintage Air® - Gen II Compac



68000 Series

Amazing performance in a compact system! State of the art GEN-II servo motor control technology makes this mid sized package work better than most other's full size systems. Amazing performance with three vents allowing you to position louvers wherever you need them. The ideal system for coupes and smaller sedans and wagons. Features true bi-level operation in cool and heat modes and a more powerful dehumidified defroster mode.

Details

68000 Series - Heat and Cool

68000 Series - Heat, Cool, and Defrost

Price

\$410.00

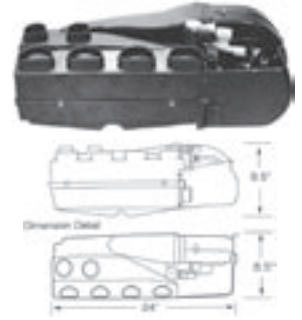
\$470.00

Vintage Air® - Gen II Super

61005 Series

State of the art GEN-II servo motor control technology is now incorporated into Vintage Air's most popular heat and cool system. Amazing performance is achieved with the GEN-II Super's new "D" shaped air outlets. As an added benefit, you can position all four louvers wherever you need them. The ideal system for the largest sedans and wagons. Features true bi-level operation in cool and heat modes and a more powerful dehumidified defroster mode.

Details	Price
61005 Series - Heat and Cool	\$470.00
61005 Series - Heat, Cool, and Defrost	\$490.00



Vintage Air® - Gen IV Magnum

GEN-IV Technology Delivers OEM Quality Climate Control!

Now you can enjoy true bi-level, infinitely adjustable comfort in your classic car. This large system can handle even the largest sedan or wagon. Fully electronic operation – no cables or vacuum controls. Micro-processor controlled coil temperature monitor. Separate high capacity heat and cool coils. Blend door for instant temperature adjustment. Infinite dash / floor blend. Infinite defrost / floor blend with dedicated defrost. SPAL blower motor with infinite speed adjustment to deliver maximum performance and comfort in a relatively small package size.

Part #	Details	Price
VAC 671400-VUZ	GEN-IV Heat, Cool and Defrost	\$699.00



AC

Vintage Air® - Mark IV

THE REAL STEEL IS BACK! Vintage air has created an exact reproduction of the most popular underdash air conditioner ever made. The MARK IV features an all steel case built from the original tooling. The timeless look of chrome and real steel combined with Vintage Air's proven performance. Includes mounting brackets and drain line.

Part #	Details	Price
VAC 672001-VHY	MARK IV System – Cool Only	\$299.00



Vintage Air® - Slim Line Systems

Engineered to provide cooling capacity and air delivery in a compact under dash package. They feature built-in controls and louvers. NOTE: Cool Only Systems have knobs at the far left.

Part #	Details	Price
VAC 11301-VUY-A	Cool Only (Passenger Side Fittings)	\$290.00
VAC 11301-VUX-A	Heat & Cool (Passenger Side Fittings)	\$315.00
VAC 11300-VUZ-A	Heat, Cool, Defrost	\$345.00
VAC 11401-VUY-A	Cool Only - Black Louvers (Passenger Side Fittings)	\$290.00
VAC 11401-VUX-A	Heat & Cool - Black Louvers (Passenger Side Fittings)	\$315.00
VAC 11400-VUZ-A	Heat, Cool, Defrost - Black Louvers	\$345.00



Vintage Air® - Standard Louver Packages

The following louver packages are available with the purchase of a Super Gen II, Mini Gen II or Compact Gen II Vintage Air Systems.

Part #	Details	Price
VAC 49003-VUL	2 Kick Panel Vents - 1 Under Dash Vent	\$15.00
VAC 49004-VUL	2 Kick Panel Vents - 2 Under Dash Vents	\$30.00
VAC 49007-VUL	3 Under Dash Vents	\$15.00
VAC 49008-VUL	4 Under Dash Vents	\$32.00



AIR CONDITIONING



*All prices are subject to change without notice.

Vintage Air® - SureFit™ Series



Vintage Air® SureFit™ air conditioning, heating & defrost systems are designed to give greater air flow than the factory OEM system while still maintaining the factory look. The system includes: evaporator, condenser, drier, compressor, compressor bracket, hose kit, and hi/lo safety switch. *NOTE: Some applications may require additional engine pulleys not included with kits. You must provide v-belts and refrigerant.*

Complete Sure Fit Systems

Starting At \$998.00

SureFit™		Gen IV Electronic System	Gen II Electronic System	Cable or Cable/Vacuum System	Use Factory Controls*	Vintage Air Replacement Controls**
Chevy	'55 - '57 Tri-Five Cars	■		■	■	
	'58 - '62 Corvette	■				■
	'63 - '67 Corvette	■				■
	'68 - '76 Corvette	■			■	
	'67 - '69 Camaro	■		■	■	
	'70 - '78 Camaro	■				■
	'64 - '65 Chevelle	■			■	
	'66 - '67 Chevelle/El Camino	■			■	
	'68 - '72 Chevelle/El Camino	■				■
	'62 - '65 Nova	■				■
	'66 - '72 Nova	■			■	
	'59 - '60 Impala			■	■	
'61 - '64 Impala	■			■		
Pontiac	'64 - '67 GTO	■			■	
	'67 - '68 Firebird	■		■	■	
	'69 Firebird			■	■	
Mopar	'70 - '74 Barracuda/Cuda	■				■
	'70 - '74 Challenger	■				■
Ford	'64 1/2 - '66 Mustang	■			■	
	'67 - '68 Mustang	■			■	
	'69 - '70 Mustang	■			■	
	'64 - '65 Falcon/Ranchero			■	■	
Chevy/GMC Trucks	'47 - '55 Trucks		■			■
	'47 - '53 Trucks		■			■
	'56 - '59 Trucks			■	■	
	'60 - '66 Trucks			■	■	
	'67 - '72 Trucks	■			■	
	'73 - '86 Trucks	■				■
Ford Trucks	'53 - '56 Trucks		■			■
Studebaker	'49 - '59 Studebaker Truck		■			■
Bronco	'66 - '77 Bronco			■	■	
Landcruiser	'73 - '83 Landcruiser			■	■	

*Control Panel NOT Included. **Controls Included.

*All prices are subject to change without notice.

Vintage Air[®] - Control Panels



49100 Panel Only

VAC 49100-VFY Cool Control w/Wiring Harness - w/Louver \$59.00

49200 Gen-II (For Gen-II Systems with Servo-Heater Valve)

VAC 49200-RHA 4 Knob Underdash Pod, Standard \$45.00

VAC 49205-RHA 4 Knob Underdash Pod w/Louver, Optional \$49.00

Pro Series Panels, Control Heat, Cool & Defrost When Equipped

VAC 49500-VSQ Streamline Pro, 5.5" W x 2.5" T, Backlight Knobs \$139.00

VAC 49220-VUQ Proline Panel - Black Anodized 4.5" W x 2", T Internal Light \$134.00

GEN II Control Panels – Standard & Optional

Panel uses OEM style louver and a servo actuated heater valve which allows the introduction of small amounts of heat to regulate air temperature.

Standard 4 Lever Fingertip Panel

VAC 49110-SHQ Horizontal 4.63" W x 2.44" T, Internal Light \$45.00

VAC 49110-SVQ Vertical 2.44" W x 4.63" T, Internal Light \$45.00

Optional

VAC 48103-SHQ 4 Lever Machined Horiz Panel 4.69" W x 2.5" T, Internal Light \$129.00

VAC 48102-SVQ 4 Lever Machined Vert. Panel 2.5" W x 4.69" T, Internal Light \$129.00

VAC 48104-RHQ Streamlined Control Panel, Backlight Knobs \$154.00

VAC 491200-RUA Streamline 4 Knob Panel, Backlit Knobs \$159.00

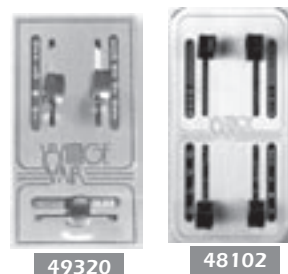
VAC 491229 Streamline 4 Knob Panel, Backlit Knobs, Black Anodized Finish \$169.00

VAC 491210-RUA Magnum Streamline, 3 Knob Horizontal Panel, Backlit Knobs \$199.00

VAC 491214-RVA Magnum Streamline, 3 Knob Vertical Panel, Backlit Knobs \$199.00

VAC 491223-RUA Magnum Streamline, 3 Knob Horizontal, Backlit, Black Anodized \$209.00

VAC 492050 3 Knob Gen IV Under Dash Control 5.25" x 1.25" \$49.95



49320

48102



491214

49110



48103

AC

Old Dog - Heat / Cool / Defrost Units

Old Dog Hypercool units come with billet control panel, duct hose, vacuum check valve, heater control valve, mounting brackets with hardware and detailed instructions. Each unit has three outlets and includes floor heat and dehumidified defrost.

Hypercool-1

This kit is designed for Coupes, Pick-ups and vehicles with minimum dash space.

Part #	Details	Price
TBI 7HY1	Hypercool-1 (7" D x 18-1/2" W x 8-1/2" H)	\$369.95

Hypercool-2

This kit is designed for full-sized sedans and fat-fendered vehicles.

Part #	Details	Price
TBI 7HY2	Hypercool-2 (7-1/2" D x 21" W x 8-1/2" H)	\$369.95



AIR CONDITIONING

*All prices are subject to change without notice.

Old Dog - In Dash Heat / Cool Units



Old Dog's In-dash evaporator is designed to mount behind the dash and is an excellent choice where there is limited space. The evaporator is available in Cool Only or Heat and Cool and comes with louvers, duct hose, mounting hardware, standard controls and instructions.

Part #	Details	Price
TBI 7072	In-Dash - Cool Only (16" W x 11" D x 4" H)	\$189.95
TBI 7011	In-Dash - Heat & Cool (16" W x 11" D x 4" H)	\$245.95

Old Dog - In Dash Heat / Cool / Defrost Units



Part #	Details	Price
TBI 7S33	Slimline Under Dash Heat, Cool, Defrost Unit	\$259.00

Old Dog - Under Dash Heat/Cool Units



Under dash evaporators are available in Cool Only or Heat and Cool.

Part #	Details	Price
TBI 7074	Large (17" W X 12-1/2" D X 5" H) - Under Dash Cool Only	\$229.00
TBI 7075	Large (17" W X 12-1/2" D X 5" H) - Under Dash Heat & Cool	\$245.00
TBI 70A2	Small (16" W X 12" D X 4" H) - Under Dash Cool Only	\$245.00
TBI 7052	Small (16" W X 12" D X 4" H) - Under Dash Heat & Cool	\$229.95

Old Dog - Complete A/C Packages

Based on our line of evaporators, Old Dog now offers a complete A/C system. The kit includes one of the evaporators listed below, defrost ducts (if applicable), air vents, plain A/C compressor (v-belt or serpentine), condenser, hose kit with drier and a steel A/C bracket for either SBC or BBC.

Part #	Details	Call For Pricing
TBI 7HY1	Hypercool-1 with Pol. Billet Control	
TBI 7HY2	Hypercool-2 with Pol Billet Control	
TBI 7011	In-Dash - Cool Only System	
TBI 7072	In-Dash - Heat & Cool System	
TBI 7074	Large - under dash Cool Only System	
TBI 7075	Large - under dash Heat & Cool System Chrome Front	
TBI 70A2	Small - under dash Cool Only System	
TBI 7052	Small - under dash Heat & Cool System	
TBI 7S33	Slimline under dash Heat, Cool & defrost System	

The following upgrades are available when purchasing a complete A/C System.

Details	Price
Pro-Series Control Unit	\$38.00
Polished A/C Compressor	
Chrome A/C Compressor	

Detroit Speed™ - '67 - '69 Camaro A/C Accessories

DSE's evaporator bracket allows you to bolt in the Vintage Air Gen II Compac unit into your 1967-1969 Camaro/Firebird with no fabrication required. DSE's bracket utilizes existing holes underneath your dash to mount your evaporator.

Part #	Details	Price
DSE 011001	1969 VA Gen II Compact Mount	\$199.00
DSE 011002	1967-68 VA Gen II Compact Mount	\$199.00

Vintage Air Closeout Panel

DSE's exclusive CNC machined aluminum closeout panel will allow you to use Vintage Air's GEN II vertical controller in your stock 1969 Camaro dash. This panel is designed to work with the GEN II machined face vertical controller. The panel bolts into the stock dash. All hardware is included. No fabrication is required.

Part #	Details	Price
DSE 011003	Vintage Air Closeout Panel	\$57.00

Vintage Air - Gen II Control Mount

DSE's exclusive Vintage Air GEN II controller mount allows you to mount a Vintage Air GEN II horizontal controller or Streamline controller in your stock 1967/1968 Camaro/Firebird dash. A hole must be cut in the panel to receive your control unit.

Part #	Details	Price
DSE 011005	Blank Control Mount	\$42.95

Detroit Speed - Firewall Fill Plate (Fits: Camaro, Firebird and Nova)

The DSE firewall fill plate is an excellent way to smooth your firewall when installing an aftermarket air conditioning system. DSE's panel smoothes the passenger side firewall while retaining the stock cowl to firewall seam. The weld-in panel is made of 18-gauge steel and has a rolled edge. Fits: '67 - '69 Camaro/Firebird and '68 - '74 Nova.

Part #	Details	Price
DSE 010901	Firewall Fill Plate	\$85.00



DSE011003



DSE011005



DSE010901

AC

Sanden® - Compressors

The Sanden 508 compressor is the "preferred" unit in the street rod industry and is the recommended unit to use with all Vintage Air systems. The New Sanden 508 compressors are available for 134-A refrigerants with regular V-belt or serpentine pulleys in plain, polished or chrome finish. All compressors come with the pulley and clutch assembly coated black. All compressor fittings are O-ring style. Some R-12 compressors available, please call.

Part #	Details	Price
ODR SD5H14	Plain Sanden 508 - V-Belt	\$199.00
TBI 6018S	Plain Sanden 508 - Serpentine	\$199.00
TBI 601P8V	Polished Sanden 508 - V-Belt	\$250.00
TBI 601P8S	Polished Sanden 508 - Serpentine	\$250.00
TBI 601C8V	Chrome Sanden 508 - V-Belt	\$300.00
TBI 601C8S	Chrome Sanden 508 - Serpentine	\$300.00



R-134 A/C Compressor Service Port Covers

Part #	Details	Price
SUN 1452	Billet Service Port Cover (Brushed)	\$16.00
GSP 343999	Stainless Steel Service Port Covers - Plain	\$34.00



AIR CONDITIONING

*All prices are subject to change without notice.

Zoops[®] - Billet A/C Clutch Covers



Sanden 508 A/C Compressor Covers		
Part #	Details	Price
ZPI 6201	Flat Nose Style	\$46.95
ZPI 6202	Pointed Nose Style	\$46.95
ZPI 6203	Cover with Decorator Holes	\$46.95

Tuff Stuff Performance[®] - Chrome Aluminum A/C Clutch Cover



Part #	Details	Price
TSP 8490A	Sanden 508 A/C Clutch Cover	\$37.95

Billet Specialties[™] - Compressor Covers



Part #	Details	Price
BIL 87120	508 Compressor	\$39.95
BIL 87220	SD-7 Compressor	\$39.95

Vintage Air[®] - A/C Condensers



Vintage Air Condensers

Vintage Air designed SuperFlow[™] Micro Tube Condenser provides increased refrigerant contact with micro tube walls and multiple passes per circuit for low restriction pathway. The SuperFlow[™] condenser provides up to 40% more capability than a comparably sized tube and fin condenser.

Part #	Details	Price
Vertical – Street Rod Condensers		
VAC 03332-VUC	14" X 20.75"	\$139.00
VAC 03032-0FV	14" X 20.75 Includes Pre-bent Hard Lines	\$165.00
VAC 03769-VUC	17" X 19"	\$149.50
Horizontal – Late Model Condenser		
VAC 03263-VUC	14" X 24"	\$149.00
VAC 03260-VUC	14" X 18"	\$139.00
VAC 03261-VUC	14" X 20"	\$139.00
VAC 03262-VUC	14" X 22"	\$149.00
VAC 03701-OVA	12" X 20"	\$117.00
VAC 03704-OVA	12" X 24"	\$149.00

Old Dog - Universal A/C Condensers



Part #	Details	Price
ODR 6708-054X20	Universal Parallel Flow Condenser 12"W x 20" H	\$99.95

*All prices are subject to change without notice.

Old Dog - A/C Driers

Vertical Mount – All driers include a bracket and a switch port.

Part #	Details	Price
ODR 4004-WB	Standard Black	\$30.00
TBI DR-20B	Polished Aluminum	\$69.95
ODR 1904CH-WB	Chrome	\$69.00



Old Dog - A/C Barrier Hose Kits

All Old Dog A/C Hose kits contain more than enough fittings to plum your system. The kit includes 135-degree fittings with 134A service ports for compressor connection. Kit comes with a black drier, 72" of #6, 48" of #8, and 60" of #10 hose. Kits are available with either bulk head fittings or firewall grommets.

Part #	Details	Price
ODR ECON-HK	Econo Bead Lock Hose Kit	\$99.95



Gotta Show® - 134A Stainless Steel A/C Hose Kits

Complete stainless steel construction - ready to polish. Hoses are made of aircraft quality PTFE lined stainless steel. All fittings are female O-ring formed, making them compatible with all aftermarket air conditioning systems. Any local company with a Weatherhead machine can crimp the fittings after the purchaser has marked the fitting to their particular specifications. Or the marked fittings & hoses can be sent back to Old Dog for crimping at no charge (if purchased from Old Dog - Customer pays shipping both ways).

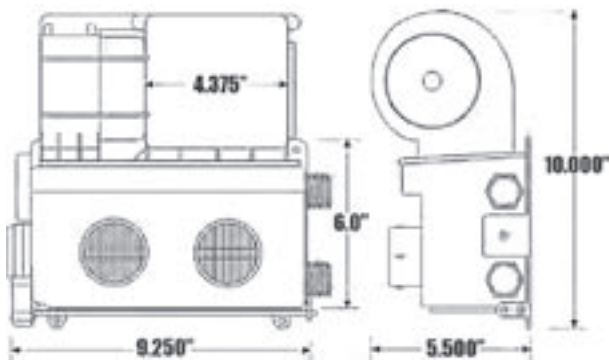
Part #	Details	Price
GSP 343120	Vintage Air Front Runner System	\$366.00
GSP 343100	90 Degree Compressor Fittings with Service Port	\$376.00
GSP 343110	135 Degree Compressor Fittings with Service Port	\$386.00



Vintage Air® - Gen II Heater

New design provides superior performance from servo motor controlled air door, improved case design and our exclusive electronic servo actuated heater control valve. New three knob control operates temp, fan speed and heat/defrost balance mode. Includes universal defrost ducts. Also may be used with optional dash louvers.

Part #	Details	Price
VAC 506101	Heater with Defrost and Servo Door Control	\$229.00



AIR CONDITIONING

*All prices are subject to change without notice.

Vintage Air® - Bi-Level Heater



Great performance from Cuprobrazed® coil technology and improved case design. Single cable/switch control operates both air door actuation and fan speed. Cable operated door allows blending of heat between floor and ducts which can be used for defrost or with optional underdash vents in roadsters. Kit includes cable control.

Part #	Details	Price
VAC 50616-VUZ	Bi-Level Heater with Defrost	\$249.00

Vintage Air® - Compac Heater Series



This basic compac heat unit offers a 3-speed blower with floor vent that keeps the "Hot" in Hot Rod!

Part #	Details	Price
VAC 50515-VUH	Compact Heater	\$165.00

Old Dog - Street Rod Heater



This small heater is designed for firewall mounting. It features a three speed blower, vacuum operated heater control valve, rotary control, and wire harness. Unit is available with integral control and remote mount control.

Part #	Details	Price
TBI 7RH	Street Rod Heater with Integral Control	\$165.00
TBI 7RHR	Street Rod Heater with Remote Control	\$166.00
TBI 7RH2	Street Rod Heater with Defrost	\$210.00

Gotta Show® - Stainless Steel Heater Hose Kits



Kit comes with two 90 degree "long drop" - 10 fittings, 10 feet of stainless steel Teflon hose and two attached straight AN fittings. One 1/2" NPT x -8 male adapter for the water pump and one 1/2" NPT x -8 AN 90 degree adapter for the intake manifold. All fittings and adapters are stainless steel. 90 degree fittings at the bulkhead need to be crimped just like the A/C hoses.

Part #	Details	Price
GSP 343200	Heater Hose Kit	\$193.00
GSP 343300	Heater Hose Kit - Edelbrock Manifold	\$193.00

Binary/Trinary Safety Switches

The trinary & binary safety switch can be mounted anywhere in the high pressure line between the condenser and the evaporator. These MUST HAVE safety switches simply work by opening and closing circuits to cycle your A/C compressor on and off. As long as pressure in the high side line is within safe, operating levels, the safety switch will keep the electrical circuit between the thermostat & the compressor closed (connected). However, when pressures either rise above or fall below safe levels, the switch opens the circuit to shut down the system. The binary switch will shut down the compressor. The trinary will engage an electric fan to bring additional air across the condenser to lower high side pressure when pressures start to rise.

Part #	Details	Price
VAC 18103-VUG	Adapter to Mount Female Binary or Trinary Switch into Drier Switch Port	\$8.95
VAC 24679-VUS	Binary Switch with #6 Inline Fitting	\$35.00
VAC 24678-VUS	Trinary Switch with #6 Inline Fitting	\$51.00
ODR 11074-TSF-WP	Female Trinary with Plug	\$33.95
ODR 11075-TSF	Female Trinary Switch	\$33.95
ODR 11076-TSM-WP	Male Trinary with Plug	\$33.95
ODR 11077-TSM	Male Trinary Switch	\$33.95
ODR 11078-BSF	Female Binary Switch	\$17.95
ODR 11079-BSM	Male Binary Switch	\$13.79
ODR 11080-BSFH	Female Binary Switch with Harness	\$19.95
ODR 11081-BSMH	Male Binary Switch with Harness	\$15.95



AC

Billet Specialties™ - A/C & Heat Bulkheads



Heater bulkheads are designed to work with 5/8" heater hose. A/C bulkheads work with one #6 & one #10 A/C hose with O-ring fittings.

Part #	Details	Price
BIL 66720	A/C Bulkhead 2-Port	\$43.95
BIL 66820	Heater Bulkhead 2-Port	\$43.95
BIL 66825	Heater Bulkhead 2-Port (Push-On)	\$43.95
BIL 66920	A/C & Heater Bulkhead 4-Port	\$71.95
BIL 66925	A/C & Heater Bulkhead 4-Port (Push-On)	\$71.95
BIL 66935	A/C & Heater Bulkhead Inline 4-Port (Push-On)	\$71.95



AIR CONDITIONING



*All prices are subject to change without notice.

Vintage Air® - A/C & Heat Bulkheads



Proline™ Machined Aluminum Bulkhead Plates

Creates professional looking installation and allows one-man tightening of fittings and reduce the possibility of scratching your paint.

Part #	Details	Price
VAC 34217-VUO	4-Way A/C & Heater (6-10 Male O-Ring) 3"x 3.187"	\$99.00
VAC 34017-VUO	4-Way A/C & Heater (8-10 Male O-Ring) 3"x 3.187"	\$99.00
VAC 34215-VUO	2-Way A/C Firewall (6-10 Male O-Ring) 1.5"x 3.187"	\$69.00
VAC 34015-VUO	2-Way A/C Firewall (8-10 Male O-Ring) 1.5"x 3.187"	\$69.00
VAC 34116-VUO	2-Way Heater (10-10 male O-Ring) 1.5"x 3.187"	\$69.00
VAC 34317-VUO	4-Way A/C & Heat (6-10 Male O-Ring) 1.5"x 6.5"	\$99.00

Streamline™ Polished Aluminum Plates

Lower profile, easier installation - just drill 4 individual holes.

Part #	Details	Price
VAC 384600-MBA	4-Way A/C & Heater (6-10 Male O-Ring) - Polished	\$65.00
VAC 384800-MBA	4-Way A/C & Heater (8-10 Male O-Ring) - Polished	\$65.00
VAC 389600	4-Way A/C & Heater (6-10 Male O-Ring) - Blk Anodized	\$69.00
VAC 389800	4-Way A/C & Heater (8-10 Male O-Ring) - Blk Anodized	\$69.00
VAC 388600-MBA	4-Way A/C & Heater (6-10 Male O-Ring) - Polished	\$65.00
VAC 388800-MBA	4-Way A/C & Heater (8-10 Male O-Ring) - Polished	\$65.00
VAC 389601	4-Way A/C & Heater (6-10 Male O-Ring) - Blk Anodized	\$69.00
VAC 389801	4-Way A/C & Heater (8-10 Male O-Ring) - Blk Anodized	\$69.00
VAC 382600-MBA	2-Way A/C (6-10 Male O-Ring) - Polished	\$41.00
VAC 382800-MBA	2-Way A/C (8-10 Male O-Ring) - Polished	\$41.00
VAC 382680-MBA	2-Way A/C (6-8 Male O-Ring) - Polished	\$41.00
VAC 382000-MBA	2-Way A/C (10-10 Male O-Ring) - Polished	\$41.00
VAC 389602	2-Way A/C (6-10 Male O-Ring) - Blk Anodized	\$44.00
VAC 389802	2-Way A/C (8-10 Male O-Ring) - Blk Anodized	\$44.00
VAC 389603	2-Way A/C (6-8 Male O-Ring) - Blk Anodized	\$44.00
VAC 389803	2-Way A/C (10-10 Male O-Ring) - Blk Anodized	\$44.00
VAC 386600-MBA	4-Way A/C & Heater (6-10 Male O-Ring) - Polished	\$65.00
VAC 389804	4-Way A/C & Heater (6-10 Male O-Ring) - Blk Anodized	\$69.00

TBI® - "Tight Right" Bulkheads



The "Tight Right" Billet bulkhead places the in and out flow at a 90 degree angle. This allows for easier interior mounting of A/C and heat hoses. There is also a mounting hole on the interior side to accommodate the supplied male binary switch.










Part #	Details	Price
TBI B4RM	Satin "Tight Right" Bulkhead	\$95.00
TBI B4RMP	Polished "Tight Right" Bulkhead	\$99.00



Racing Power Company® - Aluminum Hose Rings








These individual rings allow for custom hose installation through the firewall. Internal o-rings stop leaking problems. Four per pack for hose sizes #6, #10, & 5/8" Heater.

Part #	Details	Price
RPC R1001	Satin Hose Rings	\$38.95
RPC R1001POL	Polished Hose Rings	\$41.95

Beadlock O-Ring Fittings		#6		#8		#10	
	Straight	35811-VUG	\$2.10	35812-VUG	\$2.25	35813-VUG	\$2.65
	45 Degree	35821-VUG	\$2.40	35822-VUG	\$2.50	35823-VUG	\$3.05
	90 Degree	35831-VUG	\$2.30	35832-VUG	\$2.65	35833-VUG	\$2.90
	135 Degree	35841-VUG	\$8.40	35842-VUG	\$9.00	35843-VUG	\$9.00
	Straight 134-A Service Port	35511-VUG	\$15.20	35512-VUG	\$15.20	35513-VUG	\$15.20
	45 Degree 134-A Service Port	35521-VUG	\$15.20	35522-VUG	\$15.20	35523-VUG	\$15.20
	90 Degree 134-A Service Port	35531-VUG	\$15.20	35532-VUG	\$15.25	35533-VUG	\$15.20
	135 Degree 134-A Service Port	N/A		35542-VUG	\$15.20	35543-VUG	\$15.20
	In Line 134-A Service Port	35825-VUG	\$15.00	35826-VUG	\$15.00	35827-VUG	\$15.00

Beadlock Bulkhead Fittings		#6		#8		#10	
	Straight Male O-Ring	35861-VUG	\$6.40	35862-VUG	\$6.90	35863-HTR	\$8.90
	90 Degree Male O-Ring	35881-VUG	\$8.25	35882-VUG	\$8.25	35883-VUG	\$8.25

Slip-on Heater O-Ring Fittings		#10	
	Straight Female O-Ring	5/8" Heater Hose	34445-VUG \$4.75
	45 Degree Female O-Ring	5/6" Heater Hose	34446-VUG \$5.50
	90 Degree Female O-Ring	5/6" Heater Hose	34447-VUG \$5.50
	Straight O-Ring Bulkhead	5/6" Heater Hose	34215-VUG \$11.50
	90 Degree O-Ring Bulkhead	5/6" Heater Hose	34236-VUG \$11.65

Heater Control Valves

Heater control valves are used to control the flow of hot water to your heater and should be installed in the heater hose between the manifold and the heater. Heater control valves are available with cable or vacuum controls. Vacuum controlled valves remain closed until vacuum is applied. Heater control valves are recommended with our Under-Dash and In-Dash Heat/Cool units.

Part #	Details	Price
TBI 3115	Cable Control Valve	\$15.95
TBI B68V	Vacuum Control Valve	\$19.00
VAC 46103-VUH	Vacuum Heater Control Valve	\$18.50
VAC 46105-VUH	Cable Heater Control (Pull to Open)	\$18.00
VAC 46114-VUH	Servo Heater Control Valve for Gen II Systems	\$39.95

